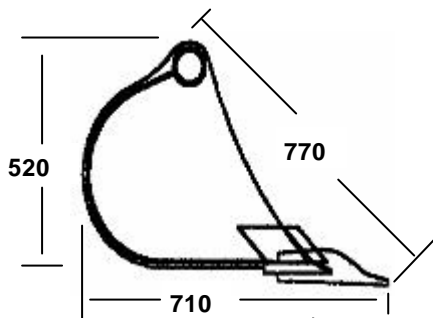


'C' PROFILE BUCKETS FOR 3-4 ton EXCAVATORS:

- ⊗ Hardened 20mm Cutting edge
- ⊗ Steel tubing for greater strength
- ⊗ JCB style bolt-on sidecutters & teeth
- ⊗ Through bosses for greater wear

DIGGING BUCKETS

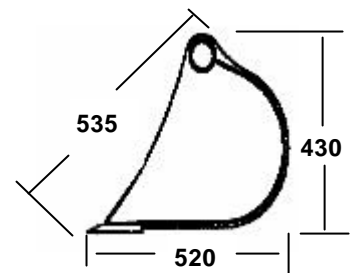


SIZES

9"	55 kgs
12"	61
18"	72
24"	92
30"	103
48" Ditch	86

Weights are approximate & include hangers.

DITCHERS



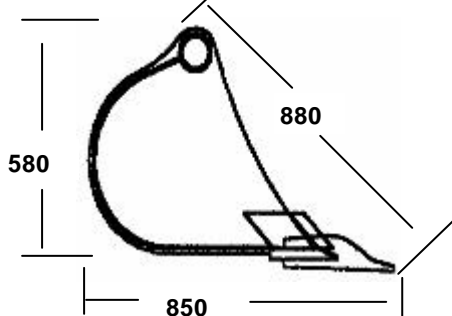
★ DO YOU NEED PINS ? ★

For a full list of the machines that match these profiles see our Excavator list on page 6.

'D' PROFILE BUCKETS FOR 4-6 ton EXCAVATORS:

- ⊗ Hardened 20mm Cutting edge
- ⊗ Steel tubing for greater strength
- ⊗ JCB style bolt-on sidecutters & teeth
- ⊗ Through bosses for greater wear

DIGGING BUCKETS

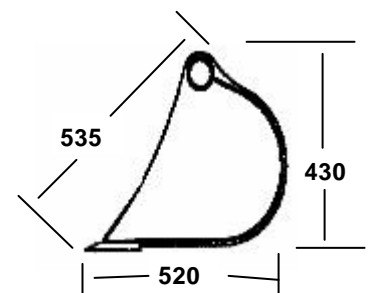


SIZES

9"	75 kgs
12"	87
18"	108
24"	130
30"	142
36"	163
60" Ditch	155

Weights are approximate & include hangers

DITCHERS



★ DO YOU NEED PINS ? ★

For a full list of the machines that match these profiles see our Excavator list on page 6.