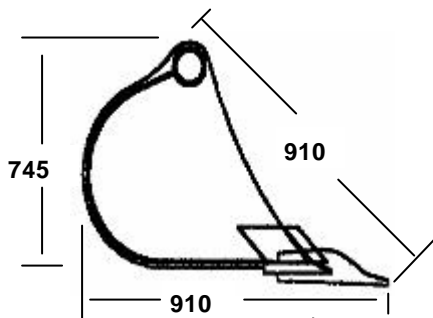


'E' & E+ PROFILE BUCKETS 6-8 ton EXCAVATORS:

- ⚙ Hardened 20/25mm Cutting edge ⚙ Steel tubing for greater strength
- ⚙ JCB/CAT style bolt-on sidecutters teeth/tips ⚙ Through bosses for greater wear

DIGGING BUCKETS

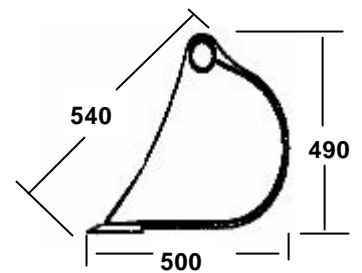


SIZES

<u>SIZES</u>	<u>WEIGHT</u>
9"	92
12"	94
18"	115
24"	143
30"	152
36"	175
48" Ditch	141
60" Ditch	168

WEIGHT

DITCHERS



Weights are approximate & include hangers



DO YOU NEED PINS ?



For a full list of the machines that match these profiles see our Excavator list on page 6.

BUCKETS
10 TON & OVER

£POA

BUCKET PINS:

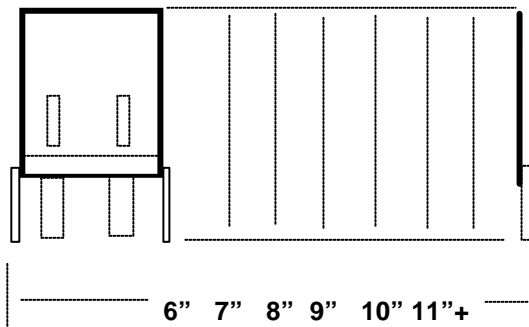
All sizes of Bucket pins up to 90mm in stock.

Custom sizes made to Order.

Breaker Pin & Bush kits

BUCKET WIDTHS:

Buckets can be made to any width for specialised trenchwork, with or without sidecutters and/or teeth.



CUTTING EDGE &

WEAR PARTS: Phone!